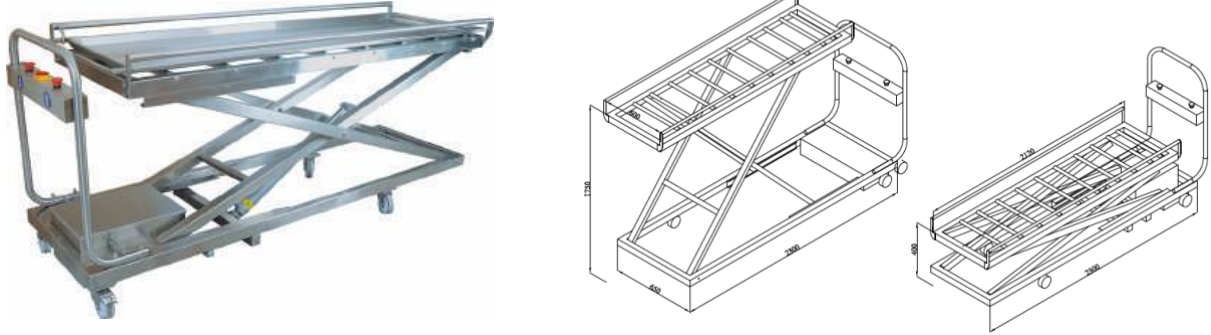


## YIBTECH YA 01 - Mortuary Trolley Front and Side Loading



### Yibtech YA 01 - Mortuary Trolley

Yibtech YA 01 Mortuary Trolley is designed for the movement of both coffins and body trays to and from the mortuary unit. Electro-Hydraulic height adjustment, electric control buttons and battery charger. Upper frame with roller system for loading trays and coffins, also there is an additional holding system to secure the tray. The trolley is designed with a scissor movement mechanism that can achieve an extremely low and high working height. The lockable side loading capability is an easy and economical plus for the Mortuary Area. There are On/Off Buttons and Up/Down Switches on Yibtech YA 01.

- 304/4N Stainless Steel Material, Satin Finish
- Power: 220-240 V / 50-60 Hz / 120 Watt
- Dual Purpose For Coffin & Body trays
- Max. Carrying Capacity : 200 Kg
- Battery-Operated Function and Battery Display
- Battery Power: 12 V / 60 A
- Rechargeable Battery Pack
- Recharge Time: 8 Hours
- Electric High/Low Operation. Maximum 175 – 180 cm and Minimum 40 cm
- 125 mm 2 Lockable Castors
- Heavy Duty Stainless Steel Treated Ball Bearing Rollers
- Stainless Steel Push Handle
- Hydraulic System and Battery Loading Are Placed In The Box Below
- There Are Up/Down Switches To Adjust The Height Where The Push Arm Of The Device Is Placed
- There Is A Rail System For The Tray Loaded On The Device To Move Smoothly

**Engine Details:** 0.8 KW - 12 V - 0.5 cc - 2 LT Hydraulic Tank Capacity

**Dimensions:** 2300 x 650 x 400 mm (L.\*W.\*H.)  
2300 x 650 x 1750 mm (L.\*W.\*H.)

**Areas Of Usage:**

- Public Hospitals
- Private Hospitals
- Medical School

Manufacturer: Yiber Elektronik San.Tic.Ltd

Manufacturer Address: Serifali Mah. Bayraktar Bulv. Adil Sok. No:45 Umraniye-Istanbul, Turkey  
(Tel: +90 216 361 2 777, Fax: +90 216 2612526, info@yiber.com.tr)

Origin: Turkey